

# 12V TAGRA® PROFESSIONAL LED DRIVER, IP20, 30W

| SKU: TAGTRIAC12V30W

# tagra®



 [tagra-lighting.co.uk](https://tagra-lighting.co.uk)

 0161 442 1180

 [orders@tagra-lighting.co.uk](mailto:orders@tagra-lighting.co.uk)

## FEATURES & BENEFITS

- High Cost Performance
- SELV
- Open Circuit Protection
- Short Circuit Protection
- Overload Protection
- Over Temperature Protection
- Compliance to ERP directive
- TRIAC dimming
- Lifetime 30,000 Hours

12V

IP20



WHITE

SELV



## TECHNICAL INFORMATION

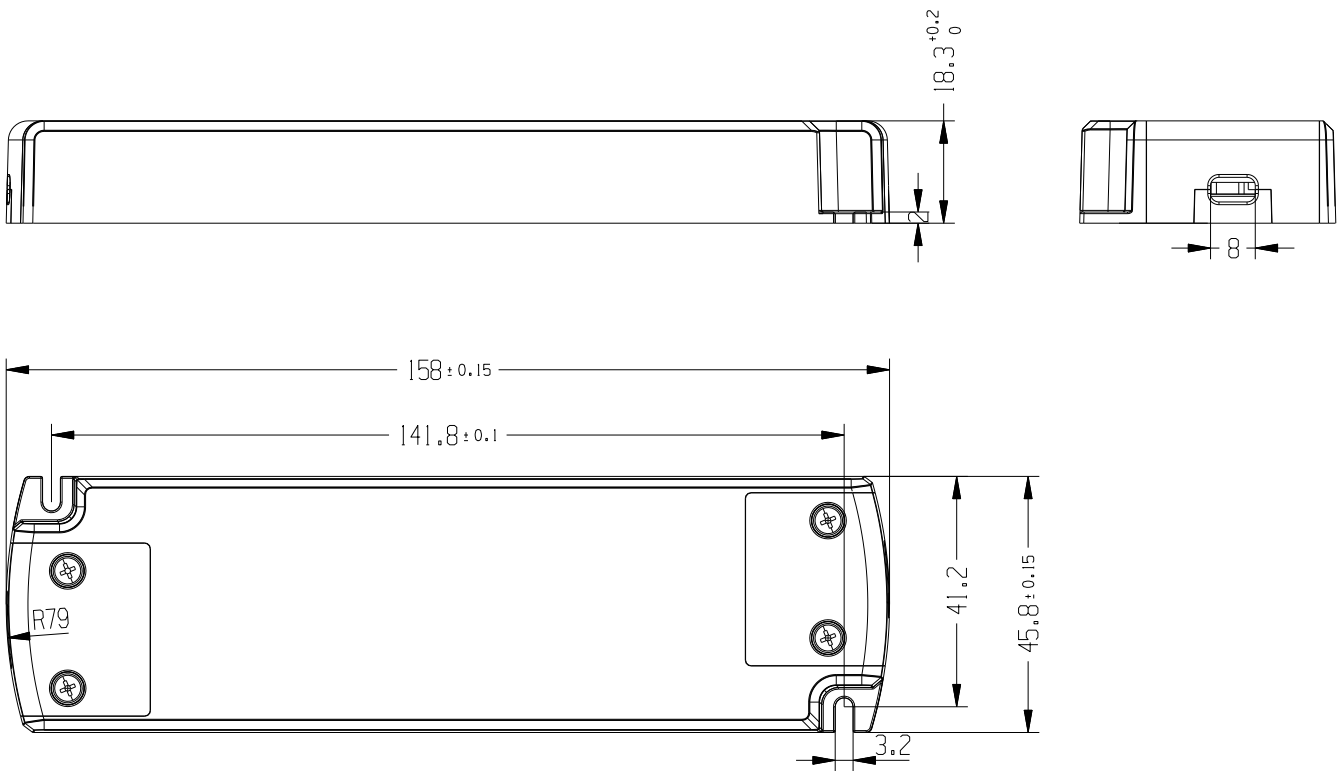
### Specifications

Output	Start Up Time	--
	Output Voltage	12V +/- 5%
	Output Current	0.5 - 2.5A
	Output Voltage Wave	--
	Output Overload	--
	Dimming Mode	TRIAC CV
	Dimming Range	20% - 90%
Input	Input Voltage	AC220-240V
	Input Frequency	50Hz
	Input Current	< 0.2A
	Input Power	< 40W
	Efficiency	> 80%
	Standby	--
	Inrush Current	< 75A
	Power Factor	> 0.9
Environment	Operating Temp.	-20°C~45°C
	Relative Humidity	15%~90% RH
	Max. Case Temp.	85°C
	Lifetime	30,000 Hours
	Working Noise	Yes

<b>Mechanical</b>	<b>Case Material</b>	Plastic
	<b>Mounting</b>	Independent
	<b>Insulation Type</b>	Class II
	<b>IP Rating</b>	IP20
	<b>Input Cables</b>	H03VVH2-F 2 x 0.75mm <sup>2</sup>
	<b>Output Cables</b>	H03VVH2-F 2 x 0.75mm <sup>2</sup>
	<b>Output Cables Length</b>	Max. 2 Metres

<b>Protection</b>	<b>Open Circuit</b>	--
	<b>Overload</b>	--
	<b>Short Circuit</b>	Yes
	<b>Over Temperature</b>	Yes
	<b>Over Voltage</b>	Yes
	<b>Auto Recovery</b>	Yes
	<b>Latch Off</b>	Yes

<b>Safety &amp; EMC</b>	<b>Safety</b>	IEC61347-1 IEC61347-2-13
	<b>Harmonic</b>	EN61000-3-2 Class C
	<b>EMI</b>	EN55015
	<b>EMS</b>	EN61547



## DIMENSIONS